

CROSS

Diemme Lab / 2010



Diemme.

CROSS

Diemme Lab / 2010

Made up of individual rounded blocks rounded, with curved corners, CROSS is a funky, comfy modular collection. It only has a handful of units, but it has the potential to be configured into unusual and never before seen constellations. Its striking effect can be heightened by the selecting special upholsteries for the pouffe base and backrest.



Wolin 7050.36 - 7050.22 - 7050.31

CROSS

Diemme Lab / 2010



Wolin 7050.22 - 7050.31



Wolin 7050.22

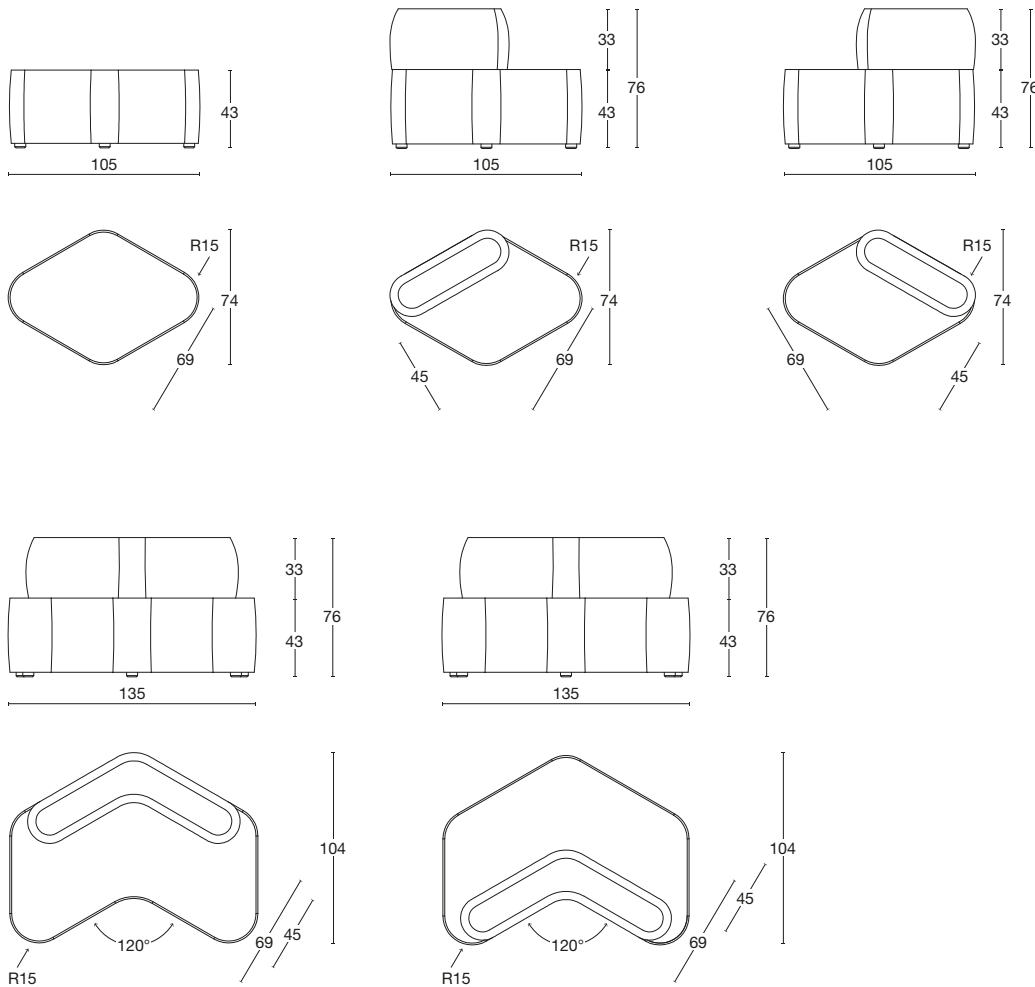
CROSS

Diemme Lab / 2010

UNI EN 1728 / Warranty: 5 YEARS

Armchair and pouf

Elegant and original modular sofas. Wooden frame upholstered with high-density polyurethane foam. Black polypropylene feet.



frame



wood



feet: black polypropylene

upholstery



fabric	faux leather	faux leather	fabric	fabric	fabric	fabric	fabric	fabric	fabric	fabric	leather	leather	leather
Jet	Planet	Cube	Mirage	Era	Model	Ikon	Gorgeous	Wolin	Hestan	Blazer	Polo	Fiesta	Nuvola
15 colours	15 colours	15 colours	15 colours	15 colours	15 colours	14 colours	15 colours	9 colours	6 colours	12 colours	15 colours	9 colours	6 colours
Cat. F	Cat. F	Cat. G	Cat. G	Cat. S	Cat. S	Cat. Top	Cat. Extra	Cat. Extra	Cat. Extra	Cat. Extra	Cat. Fiesta		

Please refer to the materials folder for the fabric, leather and faux leather colour palette.



Diemme.